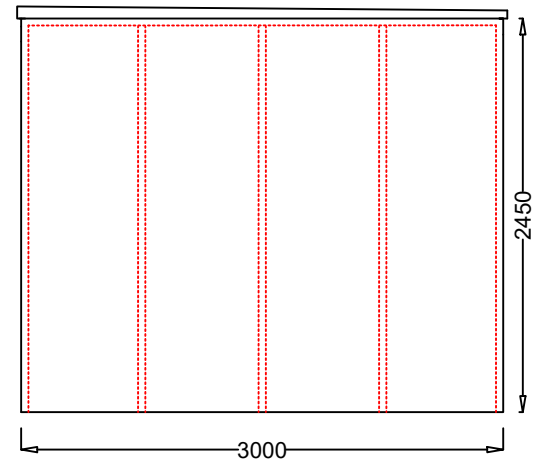
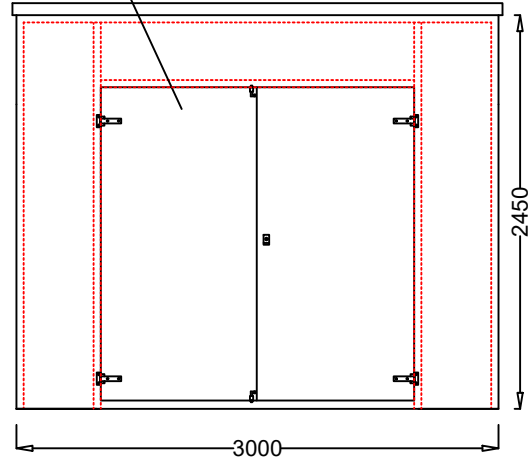
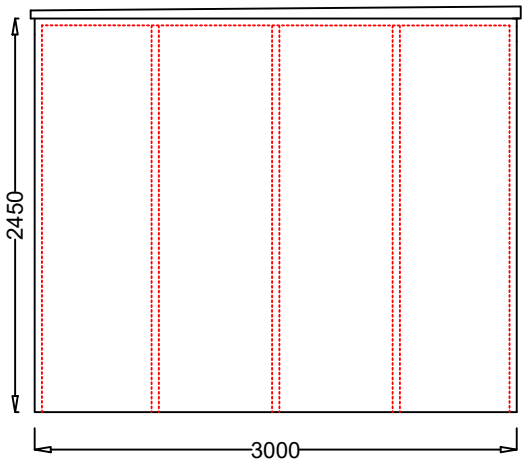


Clear Internal Dimensions - 2800mm x 2800mm x 2450mm

- 1No. Double door (2000mm W x 2000mm H)
- 4No. St/St Hinges
- 1No. Yale type Lock
- 2No. Shoot Bolts
- 1No. Compression Seal
- 1No. Aluminium Cill Protector



**Adept GRP Ltd**  
 Tel: 01269 843355  
 Tel: 01269 832189  
 Fax: 01269 844324  
 Unit 4, Heathfield Industrial Estate,  
 Thornhill Rd, Cwmgwili, Crosshands  
 SA14 6PT

Company: ADEPT GRP Ltd

Contact: Vernon Phillips

Scheme Title: VR20

Drawn: Dan Phillips

Date: 25.09.17

Checked:

External Colour - BS or RAL

Construction: 12mm Ply Core

Drawing No. VR20

Job No. VR20

Rev: