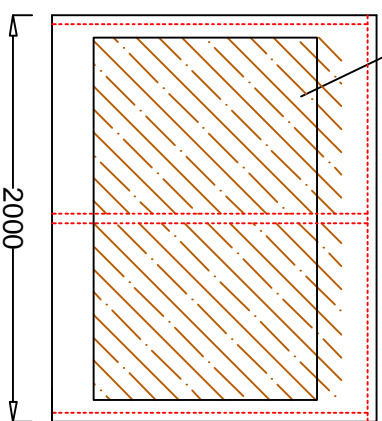


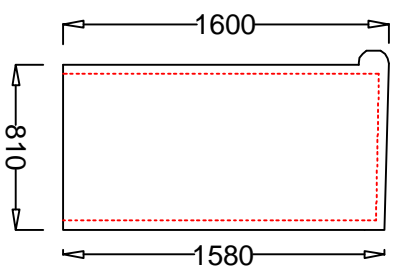
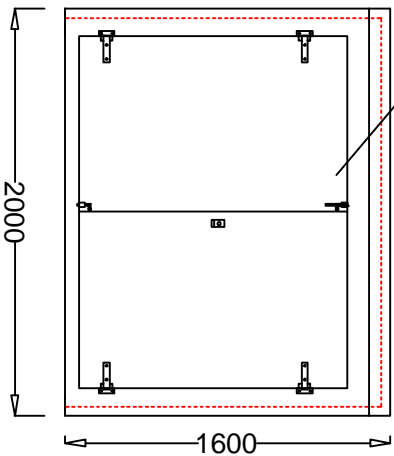
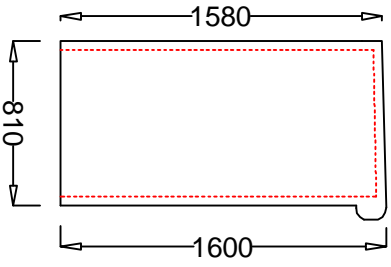
Clear Internal Dimensions - 1990mm x 650mm x 1575mm



1780mm x 1220mm x 18mm Surface Treated Ply Backboard.



- 1No. Double door (1730 mm W x 1320mm H Clear Opening)
- 4No. S/St Hinges
- 1No. Yale type Lock
- 2No. Shoot Bolts
- 1No. Compression Seal



Adept GRP Ltd

Tel: 01269 843355
 Tel: 01269 832189
 Fax: 01269 844324
 Unit 4, Heathfield Industrial Estate,
 Thornhill Rd, Cwmgwilli, Crosshands
 SA14 6PT

Company: ADEPT GRP Ltd

Contact: Vernon Phillips

Scheme Title: VR12

Drawn: Dan Phillips

Date: 31.03.15

Checked:

External Colour - BS or RAL

Construction: Single Skin const.

Drawing No. VR12

Job No. VR12

Rev: