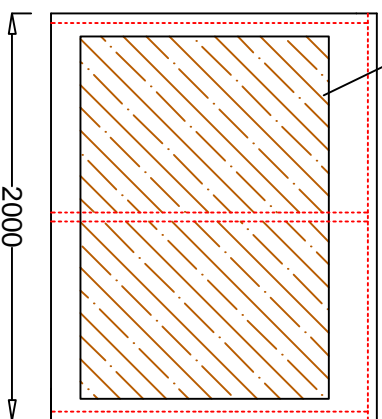


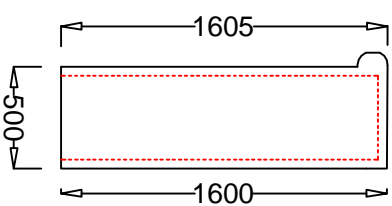
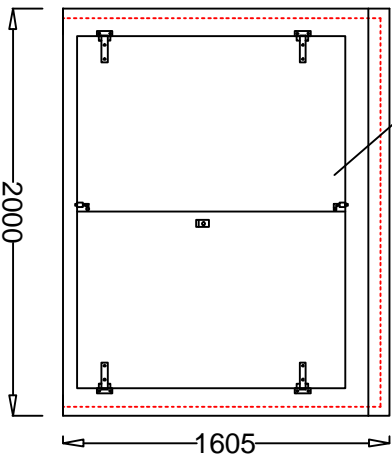
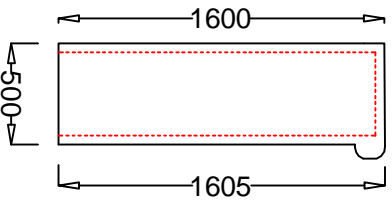
Clear Internal Dimensions - 1990mm x 410mm x 1560mm



1780mm x 1220mm x 18mm Surface Treated Ply Backboard.



- 1No. Double door (1730 mm W x 1320mm H Clear Opening)
- 4No. Ss/St Hinges
- 1No. Yale type Lock
- 2No. Shoot Bolts
- 1No. Compression Seal



Adept GRP Ltd
 Tel: 01269 843355
 Tel: 01269 832189
 Fax: 01269 844324
 Unit 4, Heathfield Industrial Estate,
 Thornhill Rd, Cwmgwilli, Crosshands
 SA14 6PT

Company: ADEPT GRP Ltd		Drawn: Dan Phillips	
Contact: Vernon Phillips		Date: 14.06.13	
Scheme Title: VR11		Checked:	
External Colour - BS or RAL		Construction: Single Skin const.	
Drawing No. VR11	Job No. VR11	Rev:	