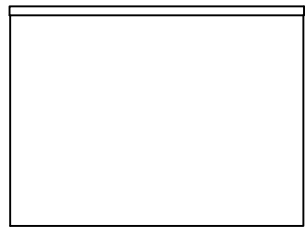
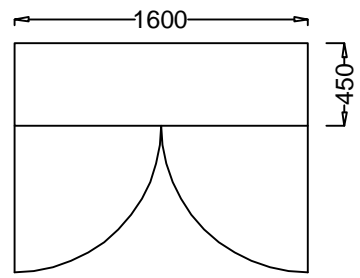
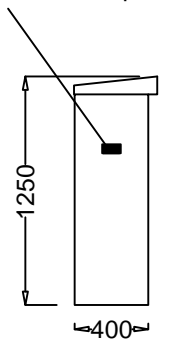


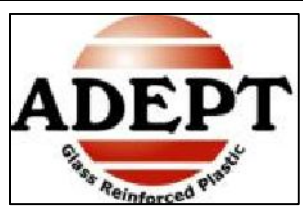
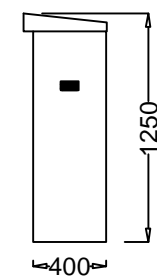
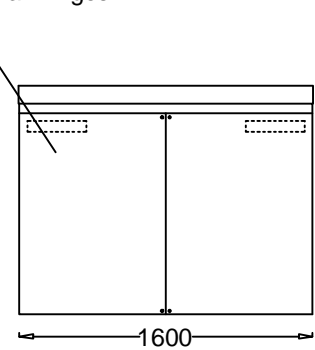
Base : Open c/w fixing flange.
 IP55 Rated as standard
 Additional Ventilation/Electrical Installation available as option
 Cat Flap available as option
 Wooden Backboard available as option
 Yale Type Lock and Shoot Bolts available as option



2 x Standard Louvre Vents
 76mm x 3mm Air Gap



Double Doors 1.600 W x 1.200 H
 4No. Flush 7mm Tri Locks
 1No. Compression Seal
 2No. Door Stays (120 degree)
 4No. Internal Hinges



Adept GRP Ltd
 Tel: 01269 843355
 Tel: 01269 832189
 Fax: 01269 844324
 Unit 4, Heathfield Industrial Estate,
 Thornhill Rd, Cwmgwili, Crosshands
 SA14 6PT

Company: Adept GRP
 Contact: Vernon Phillips
 Scheme Title: VRS 5

Drawn: D Phillips
 Date: 11/06/2012
 Checked:

External Colour -RAL6005 Textured
 Construction: 2mm Zintec Sheet
 Drawing No: VRS 5
 Job No: VRS 5
 Rev: